

RENAULT AUSTRAL E-TECH FULL HYBRID 200 HP



3rd April 2024

a new hybrid vision of the SUV

Renault Austral E-Tech full hybrid is changing the rules of the game: esprit Alpine versions, 4Control advanced system⁽²⁾ with 4-wheel steering, 774 cm² openR screens, 210 cm² head-up display and Google built-in services.



An innovative and immersive experience awaits you on board Renault Austral E-Tech full hybrid.

200hp E-Tech full hybrid engine

up to 30 advanced driver-assistance systems⁽²⁾

984 cm² of openR screens and head-up display

4Control advanced technology⁽²⁾

555L of boot capacity⁽¹⁾

esprit Alpine in world debut

(1) according to VDA protocol.

(2) standard on iconic esprit Alpine version.

interactive menu

01. design

02. driving pleasure

03. driving experience

04. multimedia

05. interior

**06. advanced driver-assistance
systems**

07. customisation

athletic design

Wide shoulders and a muscular bonnet for an intensely proportioned design. The glossy black* roof and contrasting side protection elements* reinforce the unique silhouette.



Arising from the historic collaboration between Renault and Alpine design teams, esprit Alpine asserts its dynamic character: 20" daytona black diamond-cut wheels, exclusive matte shadow grey colour, matte grey F1 blade at the front, glossy black roof, flush roof bars and distinctive badges.

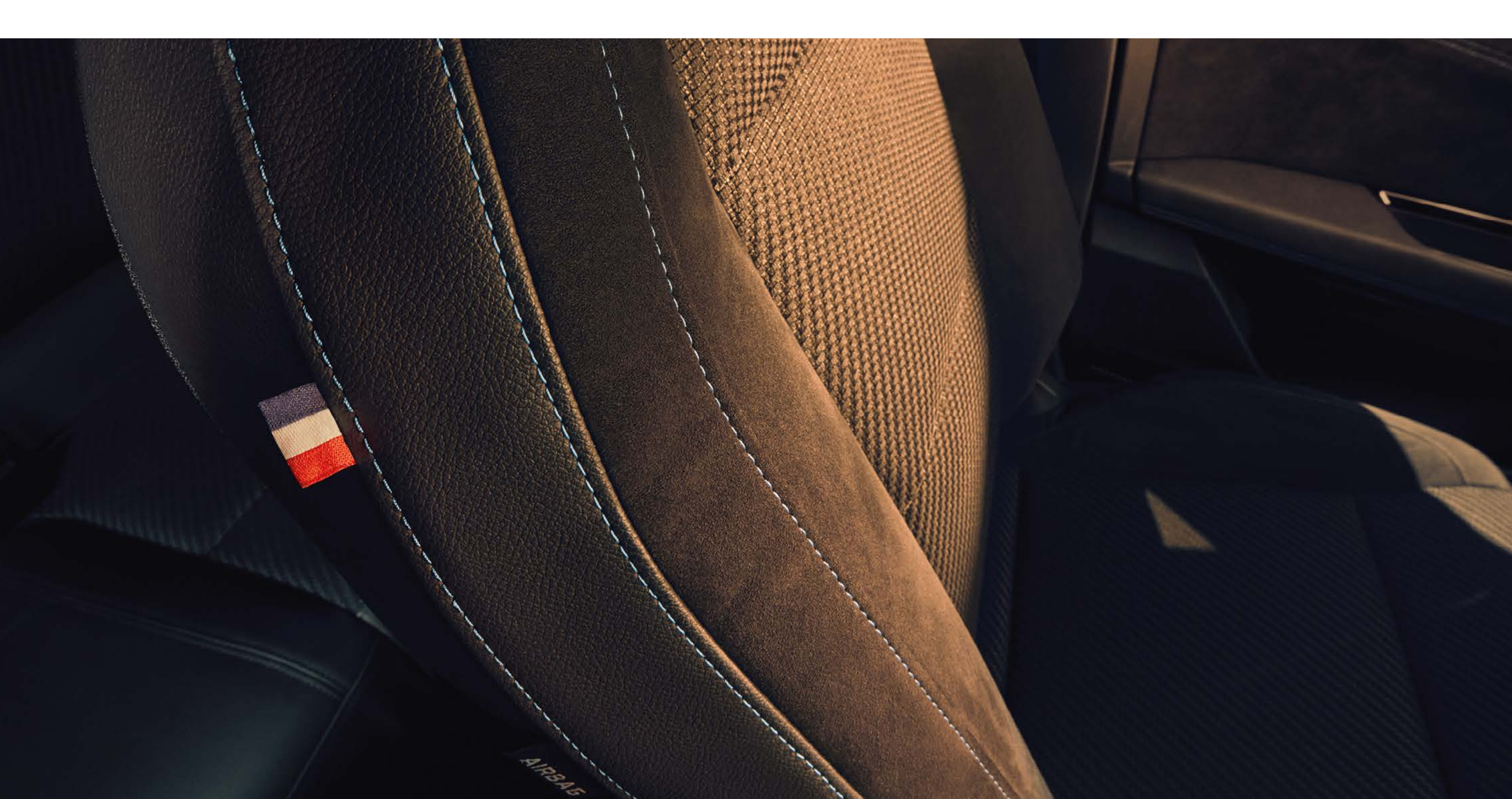


20" daytona black diamond-cut alloy wheels



esprit Alpine badge

There is also an Alpine touch in the passenger compartment: the Alcantara® fabric upholstery is enhanced with blue top-stitching, the headrests feature exclusive embroidered motifs, and the aluminium pedals energise the cockpit. As a final touch, the steering wheel sports red, white and blue stitching.



* depending on version.

build yours →

02. driving pleasure

the best of hybrid technology

E-Tech
full hybrid

up to
70mph
in electric mode⁽¹⁾

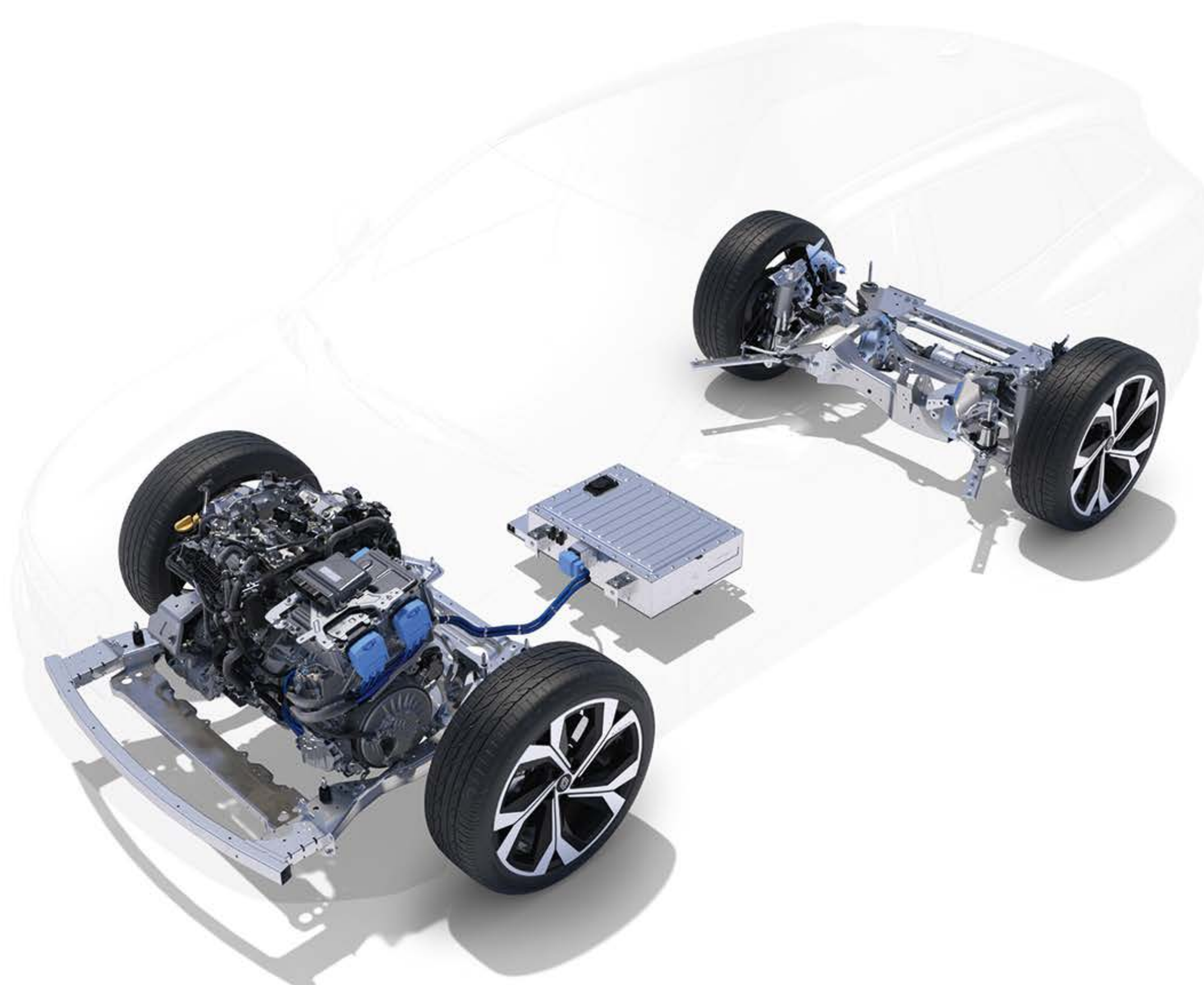
E-Tech
200 hp

up to
60.1mpg
fuel consumption⁽²⁾

from
105 g/km
CO₂ emissions⁽²⁾



Discover our 100% hybrid range with the E-tech full hybrid engine: one of the most efficient in its category.



fuel savings of up to 40%⁽³⁾ with the E-Tech full hybrid engine

The battery recharges during deceleration and braking: no need to plug in to recharge.

	E-Tech full hybrid 200hp
technology	400V battery + 2 electric engines + 1 internal combustion engine
reduced fuel consumption ⁽¹⁾⁽²⁾	up to 40%
fuel consumption⁽¹⁾	from 60.1mpg
CO₂ emissions⁽¹⁾	from 105 g/km
energy recovery via deceleration and braking	yes
management of energy recovery level	yes
electric assistance to the internal combustion engine	yes

(1) for an E-Tech full hybrid engine compared to a mild hybrid auto engine, according to WLTP City protocol / UTAC & IDIADA source / September 2022.

(2) values type-approved according to version / in accordance with WLTP protocol / UTAC source / July 2022.

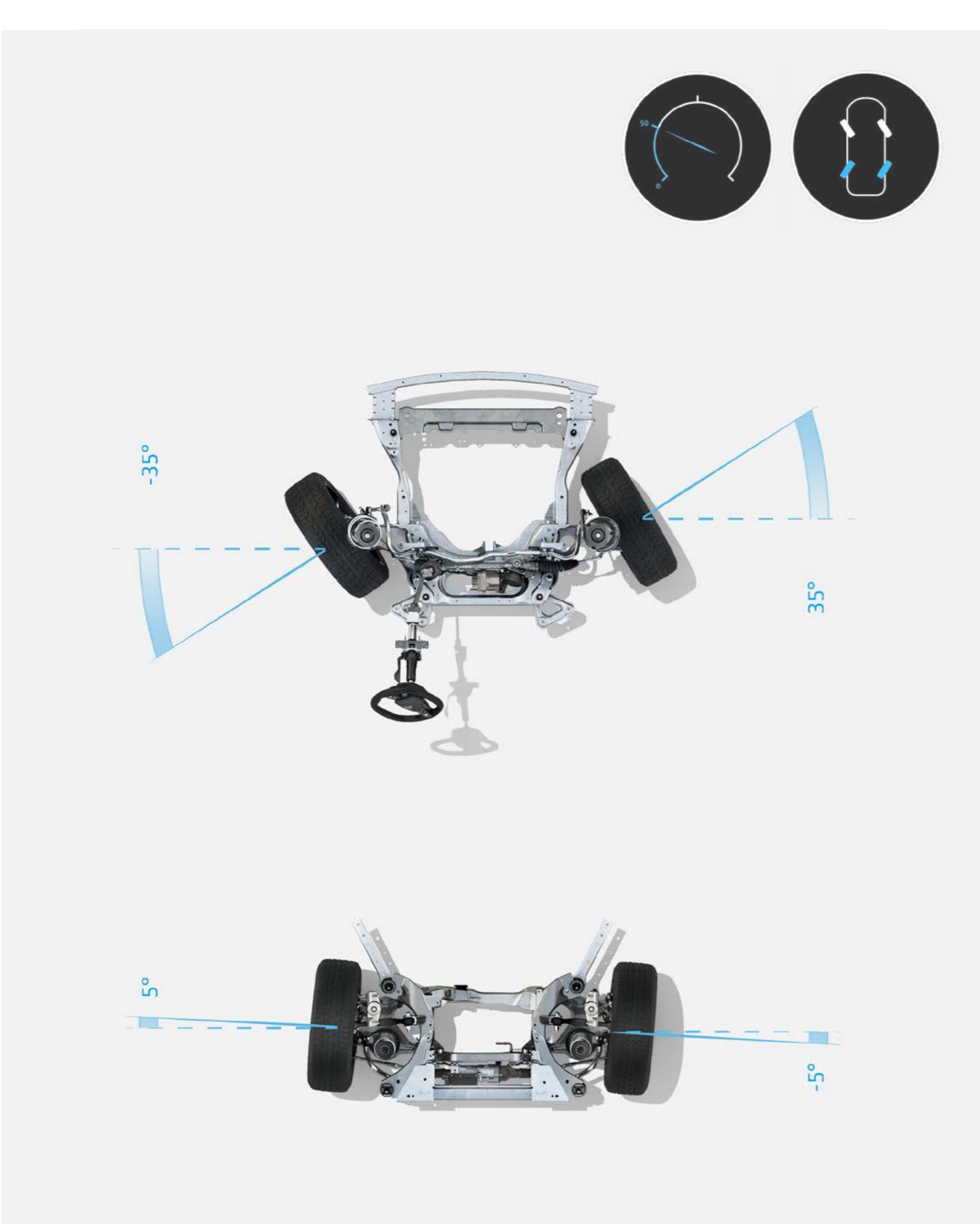
build yours →

4Control advanced*

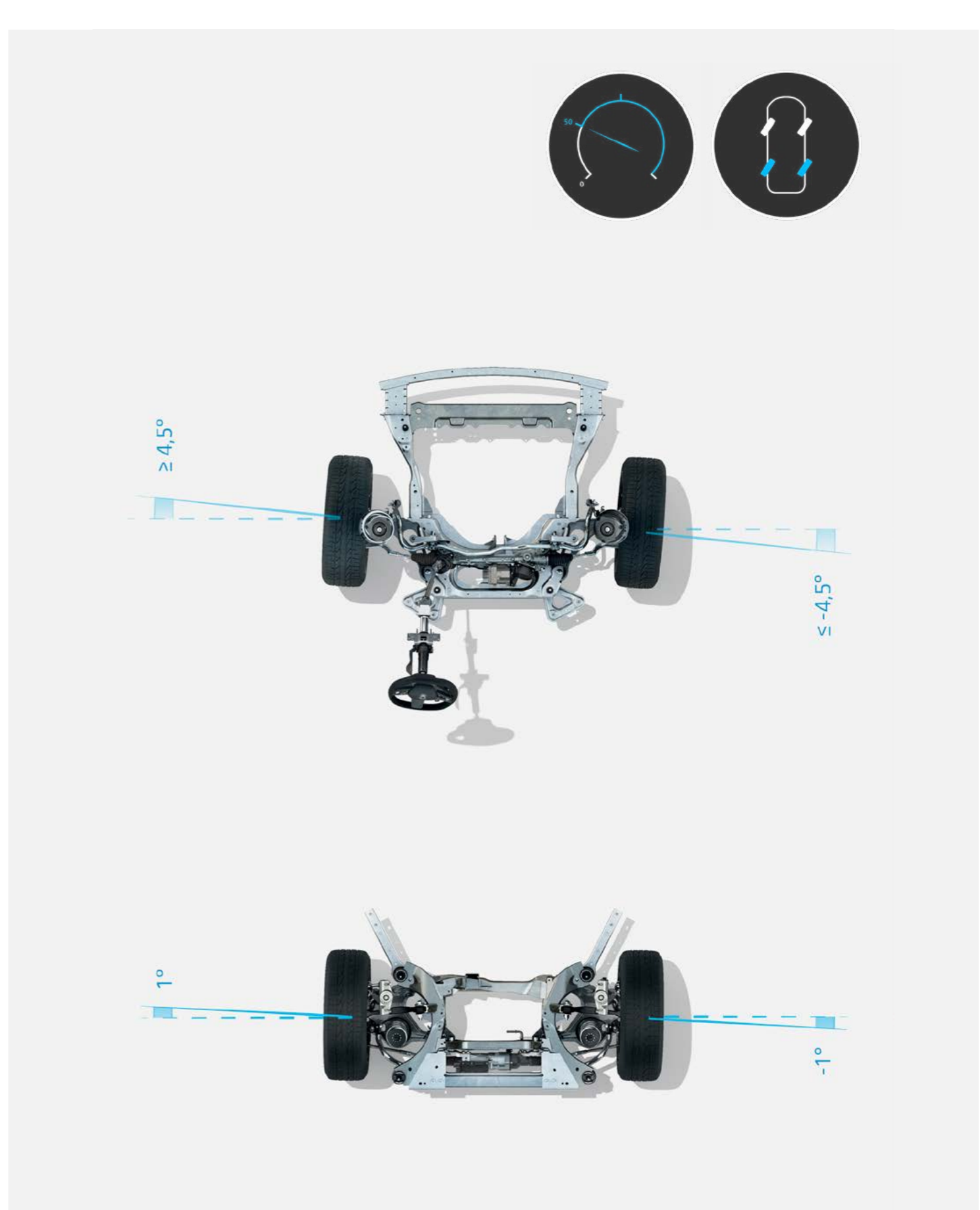
The new 4Control advanced* system with 4-wheel steering makes driving more accurate and safe.



The turning circle of 10.1 m is comparable with that of a city car.



up to 30mph, the rear wheels turn in the opposite direction to the front wheels to reduce the turning circle



above 30mph, the rear wheels turn in the same direction as the front wheels to improve road handling and safety

* standard on iconic esprit Alpine version.

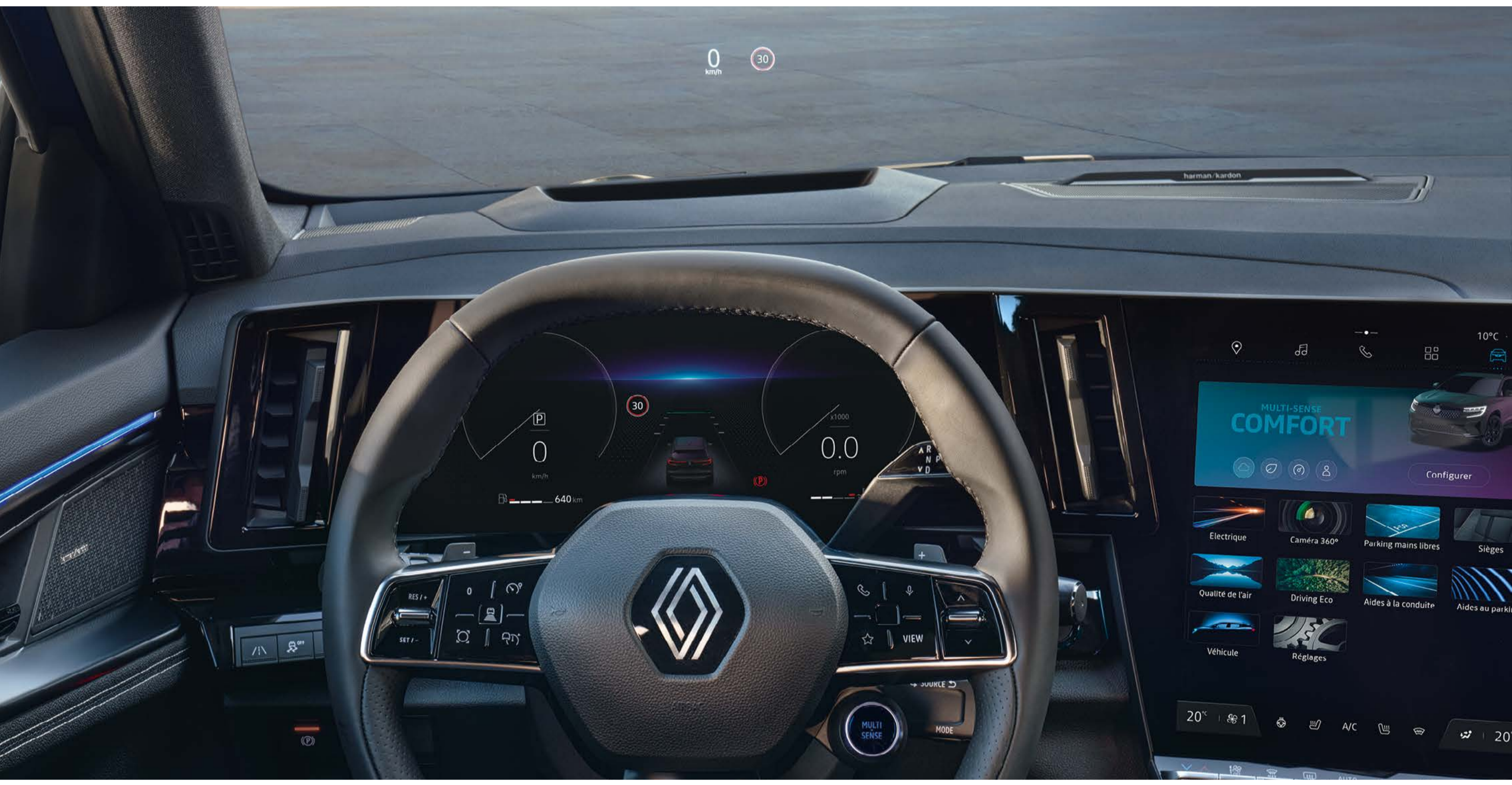
build yours →

on-board technology

To optimise driving experience, the controls are oriented towards the driver and the most important information is directly in front of the driver.



Don't take your eyes off the road: the new 210 cm² head-up display projects essential information on to the windscreen.



find your speed, driver-assistance systems and navigation on the head-up display

Engine response and sound, steering firmness, ambient lighting and driver screen configuration. With multi-sense, customise your vehicle with 4 driving modes available for a unique driving experience.



sport mode: intense driving pleasure



eco mode: optimised fuel consumption



perso mode: a fully customisable driving experience



comfort mode: combines safety and driving comfort

Harman Kardon* high-fidelity sound

Enjoy an immersive sound experience with the new and exclusive Harman Kardon* system with a powerful 485 watt amplifier that delivers through 12 speakers positioned around the passenger compartment.



2 tweeters on the sides of the instrument panel, 2 woofers in the front door panels and 2 in the rear door panels, 2 surround speakers, 1 front central unit, 2 tweeters and 1 subwoofer in the boot

* standard on iconic esprit Alpine version.

[build yours →](#)

openR link multimedia system with Google built-in

The openR link multimedia system and its 774 cm² of digital display offer intuitive technology that incorporates the best of My Renault and Google connected services⁽¹⁾.



Amazon Music, Sybel, Vivaldi... Up to 35 applications⁽²⁾ with exclusive content are available via Google Play⁽³⁾.



amazon music

Take control of your music and entertainment experience on board with **Amazon Music**, included in your Amazon Prime subscription.

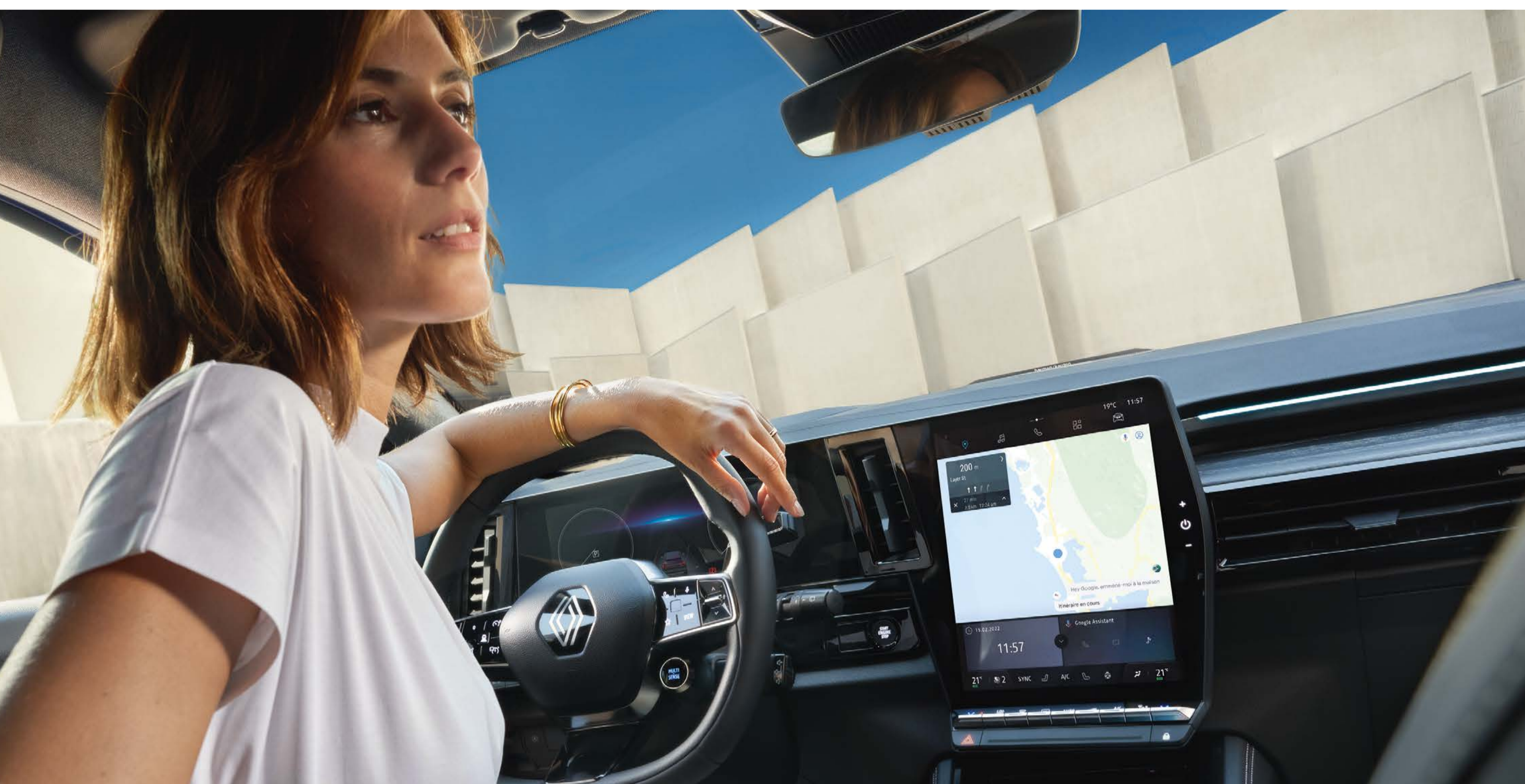
Sybel

Sybel is a unique platform to find your favourite podcasts, and discover exclusive original creations, audio books, new documentaries, and more.



Vivaldi browser is an efficient, fast and privacy-friendly Web browser. Allowing you to watch video content on-board when stationary.

Talk to Google to plan a journey, change driving mode, or set the temperature. The voice assistant⁽¹⁾ is there for you with a simple "Hey Google" command.



Blocked road, new one-way street, temporary deviation... The Google Maps navigation system⁽¹⁾ ensures precise driving even in the event of network loss.



- (1) My Renault, Google Maps and Google Assistant connected services are provided free of charge for 5 years from the date of delivery of your vehicle.
- (2) depending on country.
- (3) use the applications downloaded from Google Play in your vehicle thanks to the 3 GB data package provided free of charge by Renault (valid for 6 months).

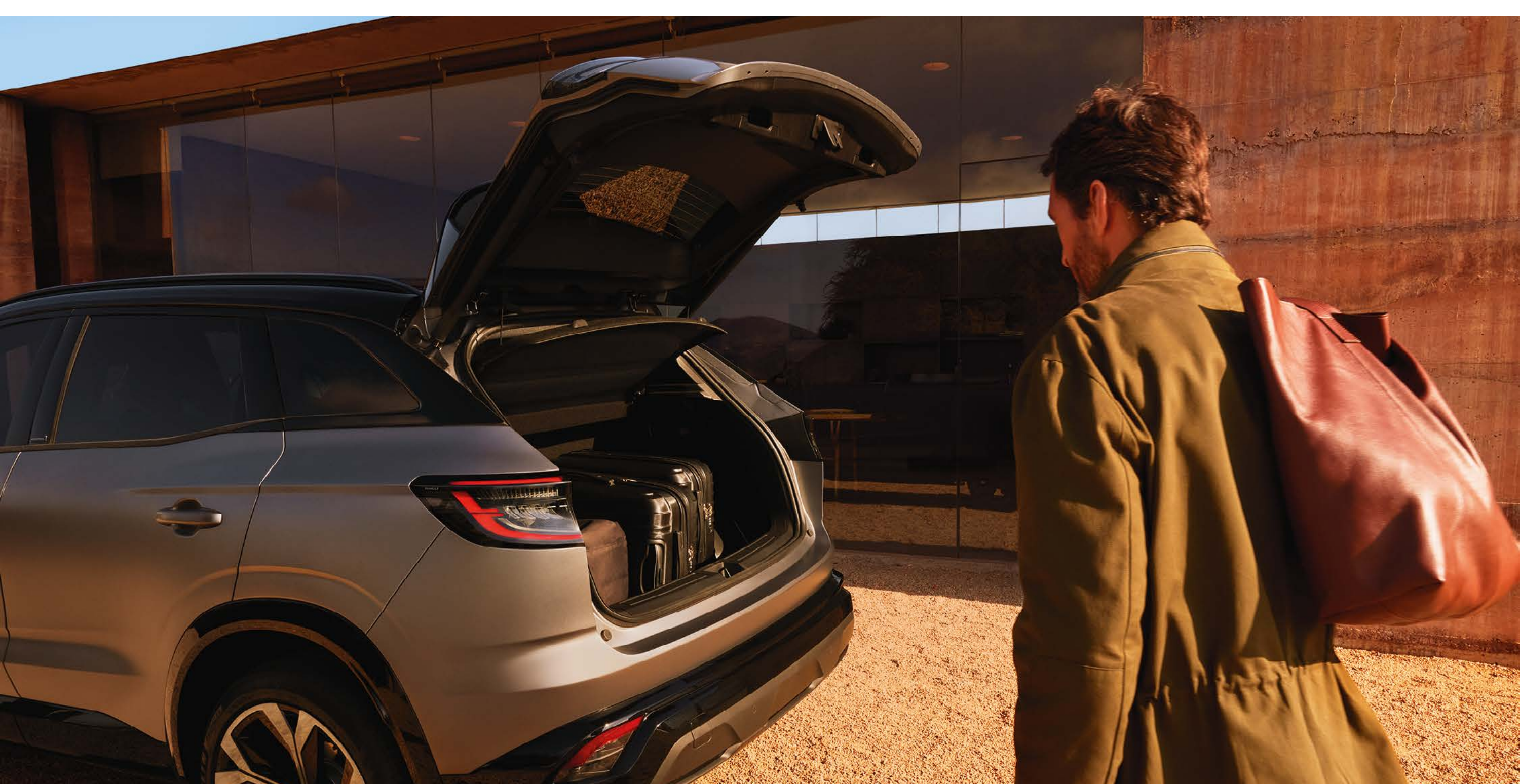
build yours →

comfortable: modular layout

**A generous amount of legroom providing ultimate comfort.
The rear bench slides up to 16cm, giving a larger boot when you need it.**



**Enjoy a boot volume of up to 555L⁽²⁾
or 1,525L⁽²⁾ by folding down
the rear seats.**



benefit from an electric power boot opening for ultimate ease⁽¹⁾

**An ergonomic and sliding hand-rest
enables you to operate the large
12" openR screen comfortably.**



wireless smartphone charger⁽¹⁾

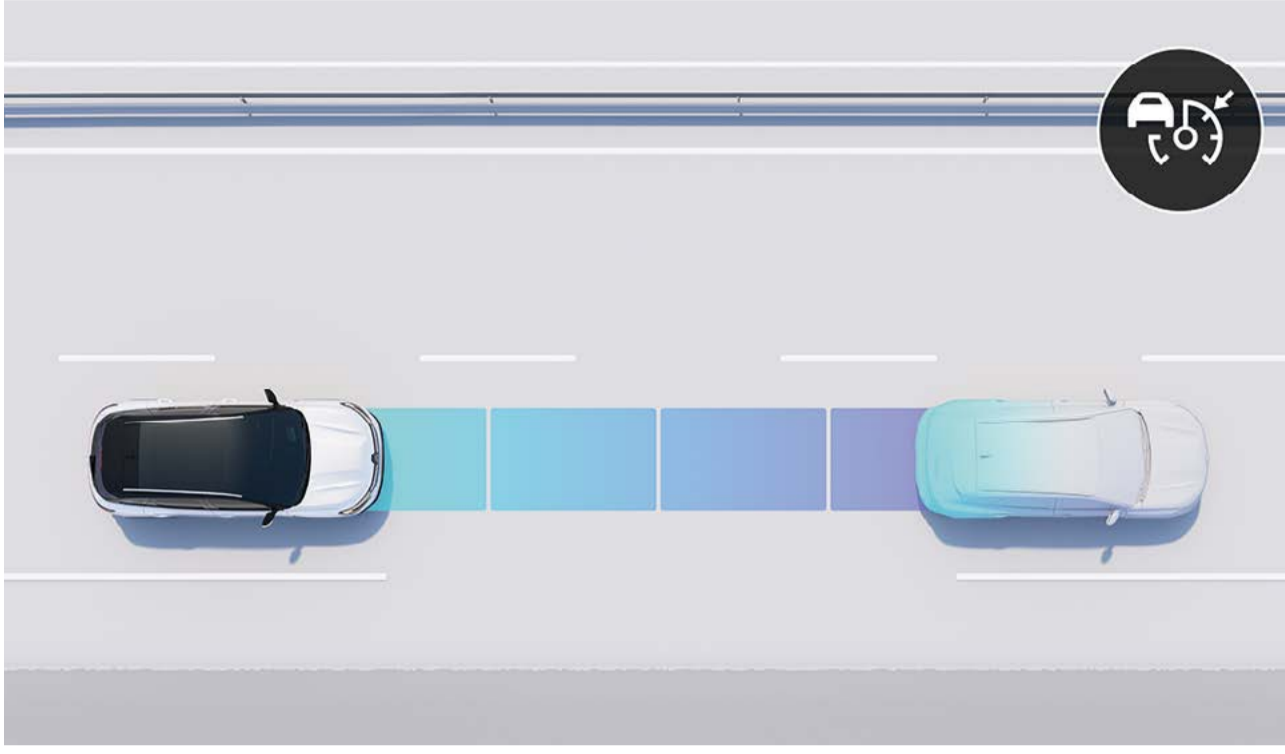
(1) standard on iconic esprit Alpine version.
(2) according to VDA protocol.

build yours →

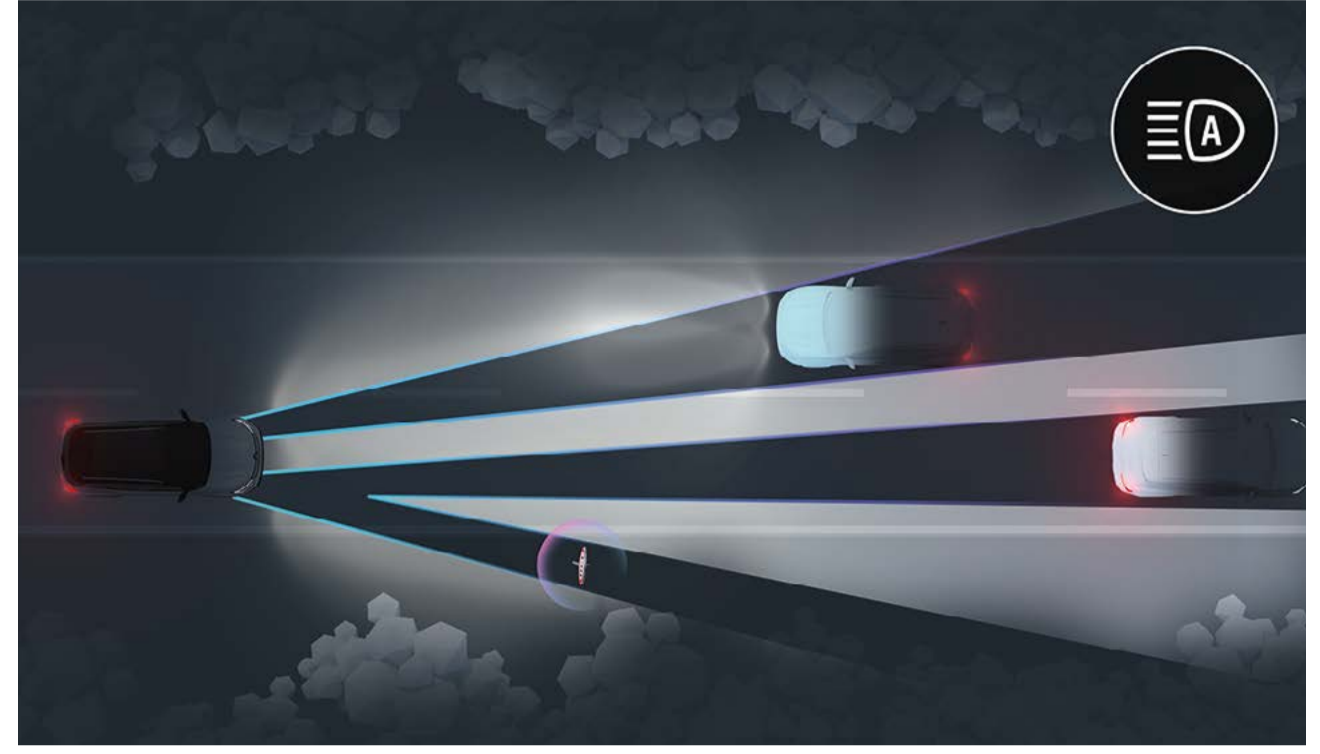
06. advanced driver-assistance systems

up to 30 advanced driver-assistance systems

Renault Austral E-Tech full hybrid offers up to 30 advanced and innovative driver-assistance systems.



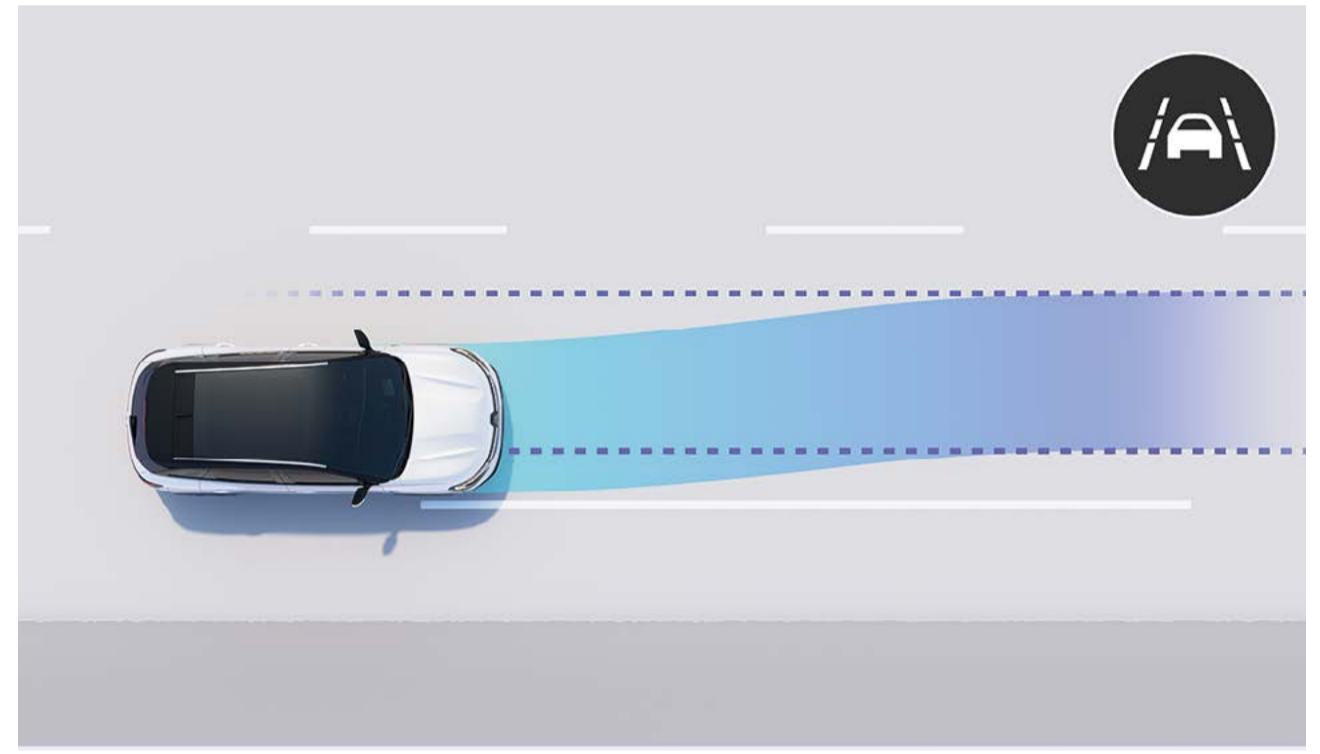
adaptive cruise control
It maintains a safe distance between you and the vehicle in front by activating the brakes when the distance is too short and the accelerator when the road is clear again.



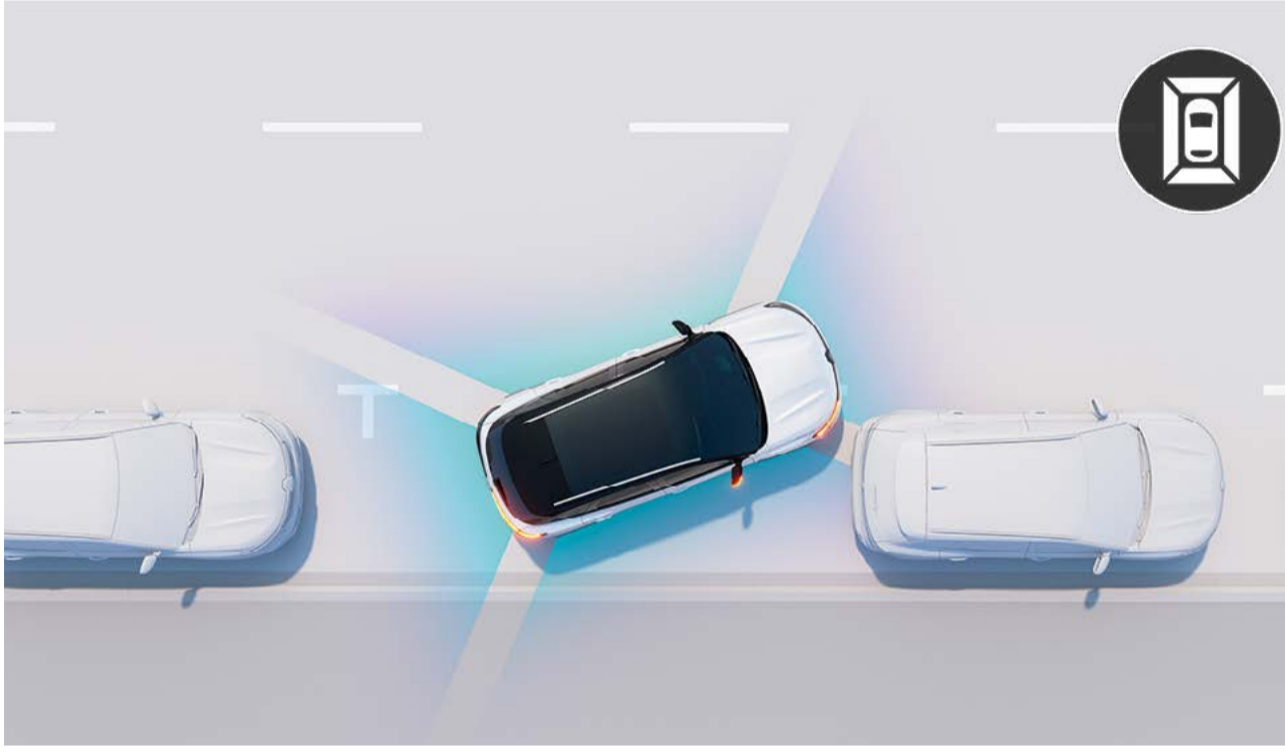
Matrix Vision LED headlights
The system automatically adjusts the light beam shape to the traffic and weather conditions to avoid glare and optimise night vision.



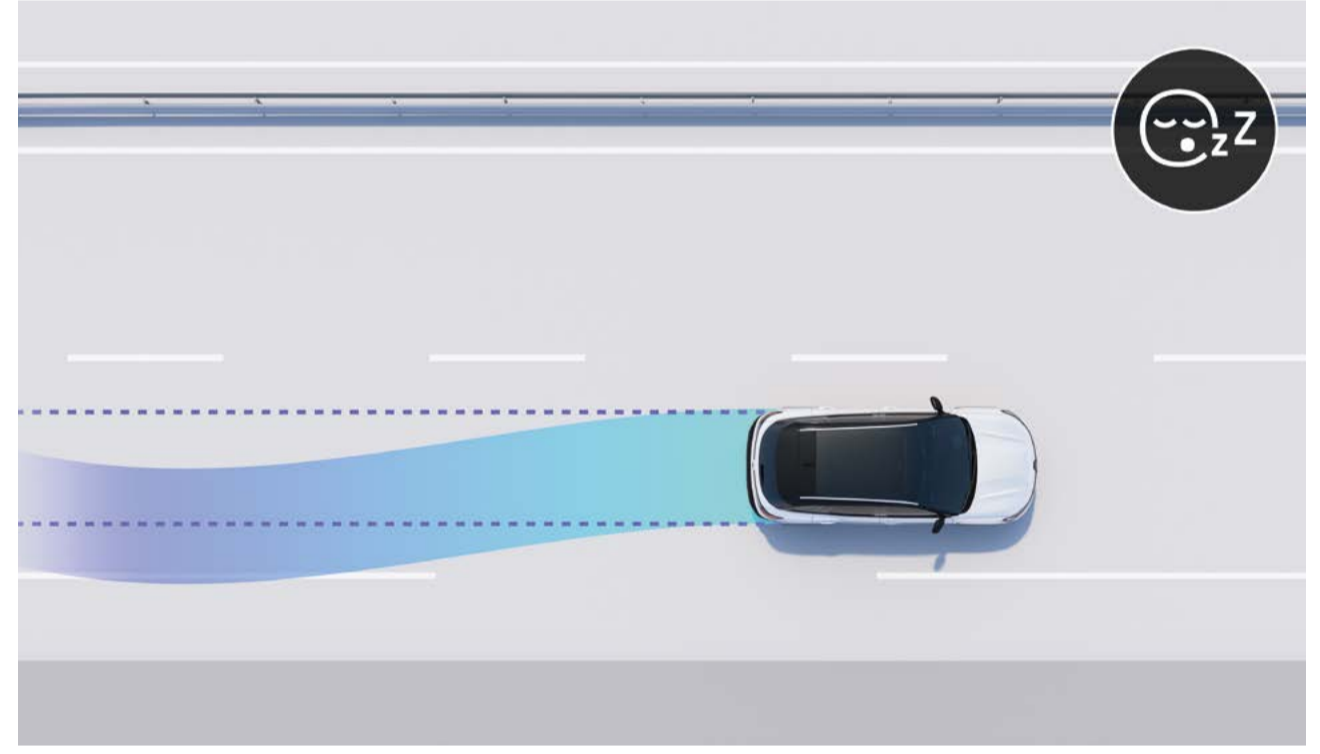
emergency braking when reversing
This system detects obstacles at the rear and stops the vehicle automatically in the event of danger.



lane keeping assist
This corrects the angle of the steering wheel, returning the vehicle to its lane unless you have indicated.



360° view 3D camera
4 cameras, whose images recreate the vehicle's direct environment 360° around it, allow you to perform your manoeuvres effortlessly.



driver attention alert
This system warns the driver if fatigue is detected via an audible alert and a message on the dashboard, detection is based on analysis of the driver's reactions.

driving

- active driver assist
- hill start assist
- 9.3" head-up display (210 cm²)
- safe stopping distance warning
- speed limiter
- cruise control
- adaptive cruise control

parking

- rear parking sensors
- front parking sensors
- side parking sensors
- 360° view 3D camera
- rear view camera

safety

- lane change warning
- lane departure warning
- lane keeping assist
- blind spot warning
- emergency brake assist with intersection function
- automatic emergency braking when reversing
- city/suburban automatic emergency braking with pedestrian/cyclist detection
- rear cross parking prevention
- lane departure prevention in the event of overtaking
- road sign recognition
- road sign recognition and speeding alert⁽¹⁾
- driver fatigue detection alert

lighting

- LED Matrix Vision headlights
- automatic main-beam/dipped headlights activation
- adaptive vision LED headlights (with integrated fog light function)

(1) included for 5 years

build yours →

07. customisation

colours



arctic white⁽¹⁾



flame red⁽¹⁾



diamond black⁽¹⁾



shadow grey⁽¹⁾



**matte shadow grey
with diamond black roof**



iron blue⁽¹⁾

(1) metallic paint

build yours →

07. customisation

interior trims



techno

- 19" komah black diamond-cut alloy wheels
- adaptive matrix LED vision
- Google built-in
- 9.3" head-up display
- wireless phone charger



techno esprit Alpine

- 20" daytona black diamond-cut alloy wheels
- heated & electric front driver & passenger seats
- electric power boot opening
- esprit Alpine styling
- heated steering wheel



iconic esprit Alpine

- 360° around view camera
- panoramic sunroof
- 4Control advanced: 4-wheel steering
- Harman Kardon audio system
- hands-free parking

Google, Google Assistant, Google Play and Google Maps are trademarks of Google LLC.



download the trims and equipment PDF (6 MB)

07. customisation

upholstery



leatherette & grey gradient fabric upholstery⁽¹⁾



esprit Alpine carbon fabric & Alcantara upholstery with blue stitching⁽²⁾

(1) standard on techno.

(2) standard on techno esprit Alpine & iconic esprit Alpine.

wheel rims



19" komah black diamond-cut alloy wheels⁽¹⁾



20" daytona black diamond-cut alloy wheels⁽²⁾

(1) standard on techno.

(2) standard on techno esprit Alpine & iconic esprit Alpine.

build yours →

07. customisation

accessory packs

colour packs (techno)



carbon-effect

gun metal grey

light grey

gold accent

customisation for:
front & rear skid, air intakes, upper grille line & mirror shells

colour packs (esprit alpine)



carbon-effect

gun metal grey

light grey

customisation for:
upper grille line, mirror shells & rear skid

protection pack (techno)



illuminated door sills

boot sill, boot mat

esprit alpine version available:
boot sill and boot mat

tow bars



removable towbar 13 pin

side step pack



side steps

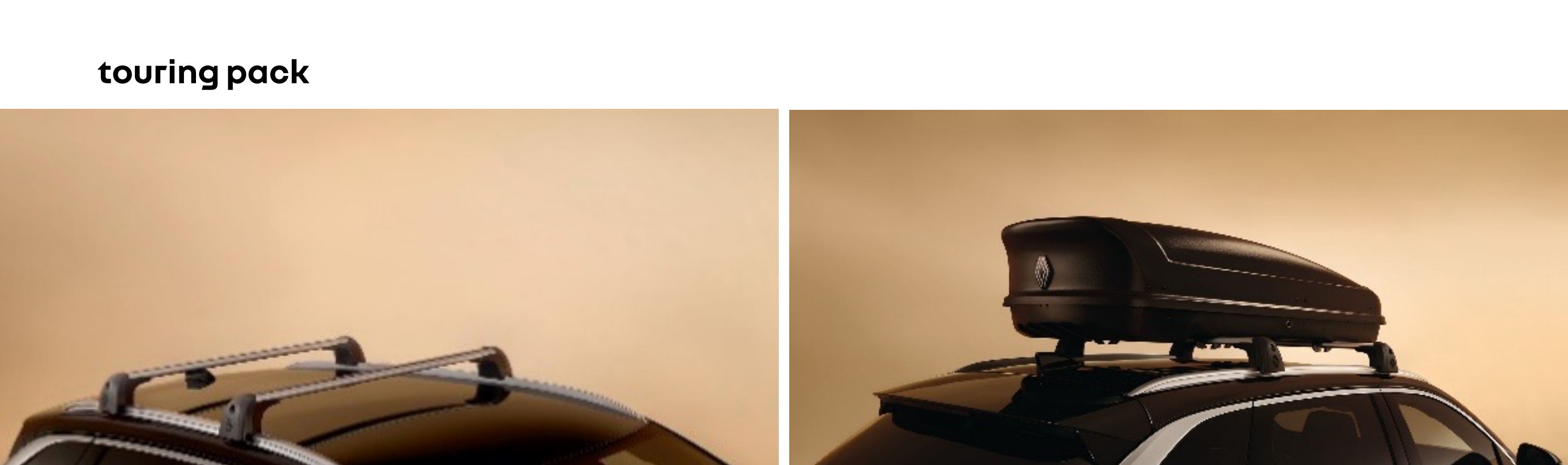
pet pack



separation grid

modular boot liner

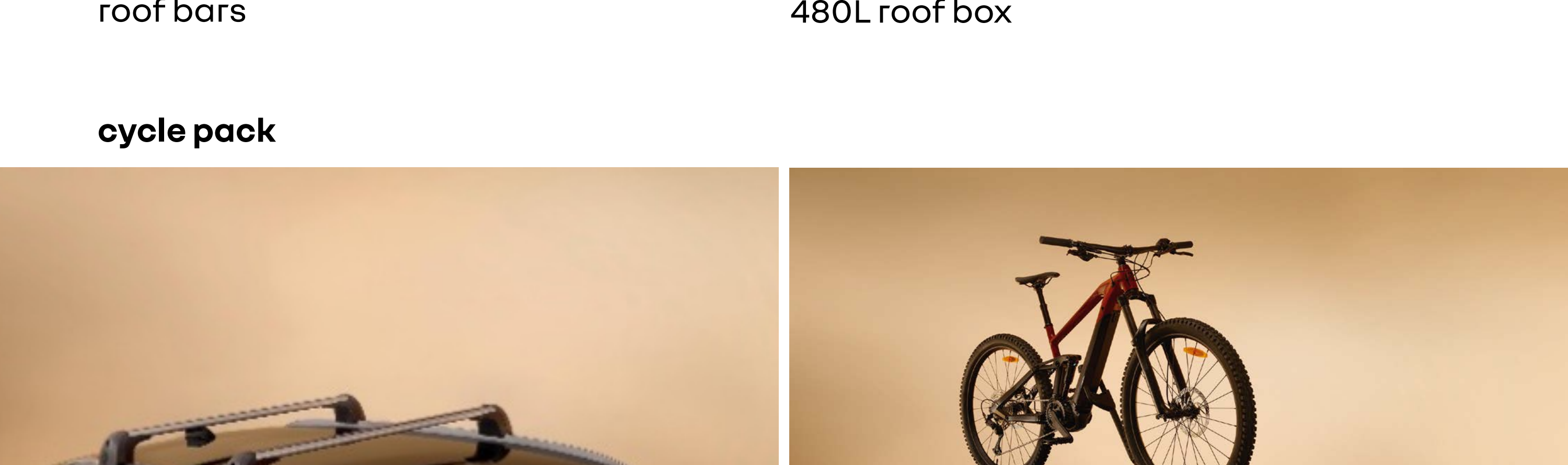
touring pack



roof bars

480L roof box

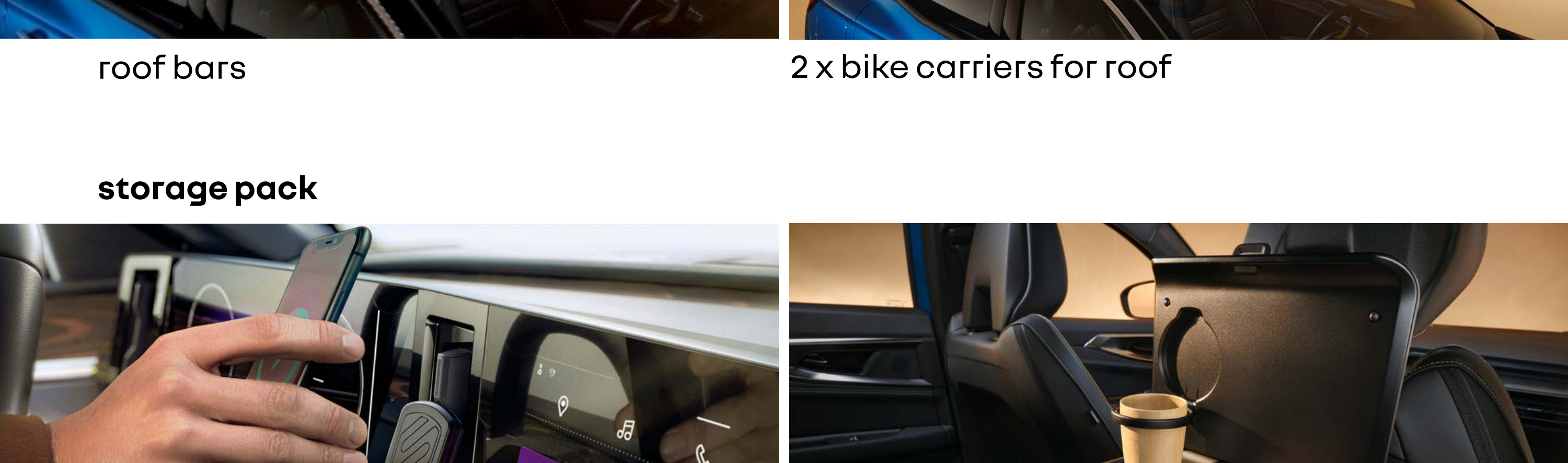
cycle pack



roof bars

2 x bike carriers for roof

storage pack



magnetic smartphone holder

rear tray table & fixing

storage pack + available with 2 rear tray tables & fixings

dash cam pack



KENWOOD front dash cam



KENWOOD rear cam

premium delivery packs



premium textile floor mats

safety kit

rubber boot liner

premium delivery pack
premium textile floor mats
safety kit

premium delivery pack+
premium textile floor mats
safety kit
rubber boot liner

All accessories purchased prior to vehicle registration come with a 3 year manufacturers warranty. Accessories are fitted post production and may have an impact on WLTP fuel (actual) consumption and CO₂ figures

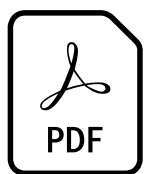
 **download the accessories brochure PDF (6MB)**

07. customisation

engine

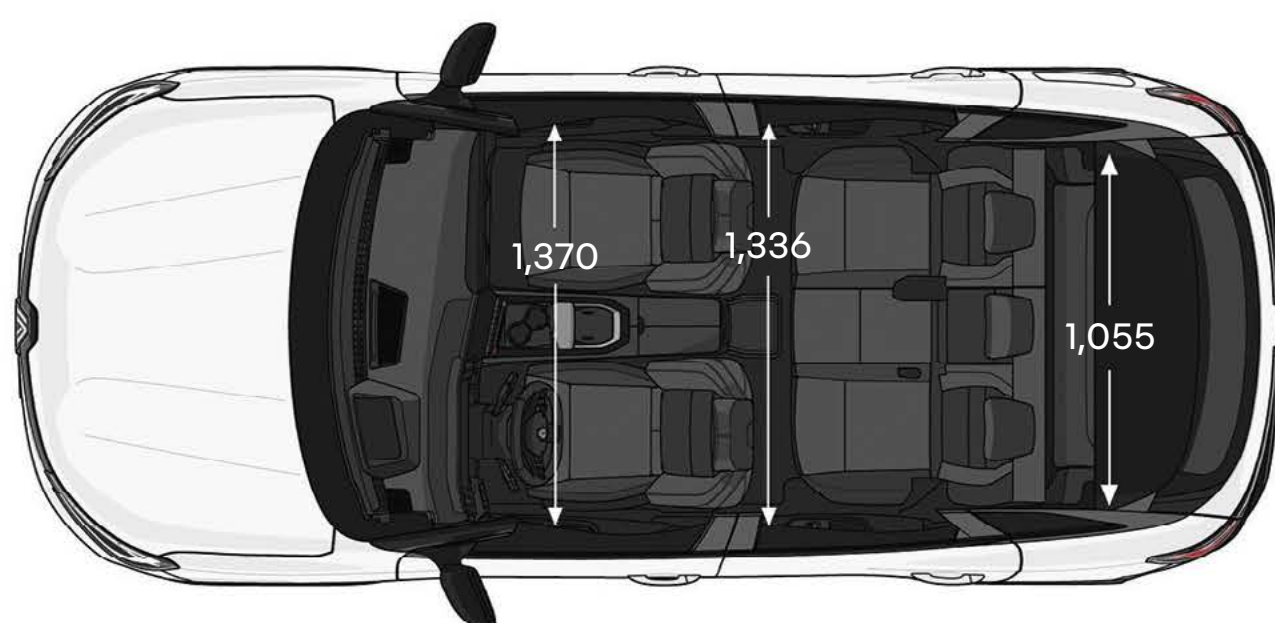
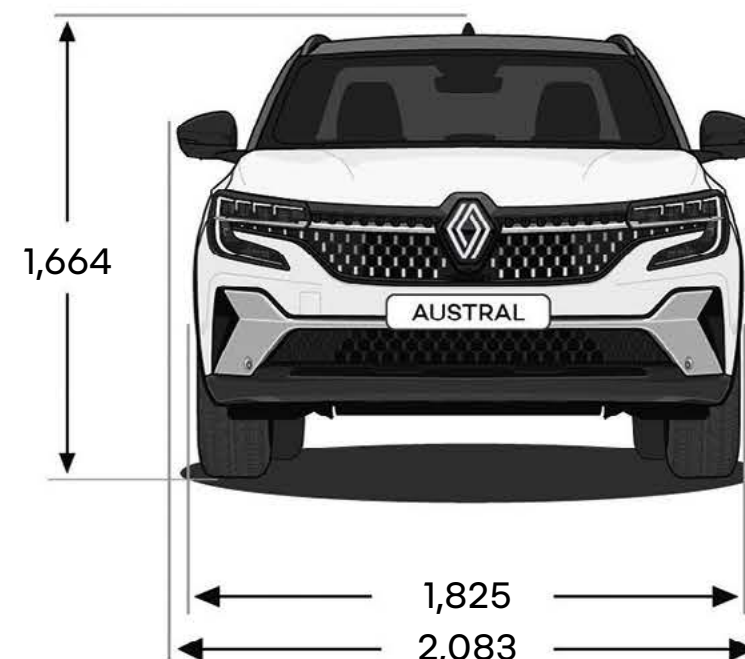
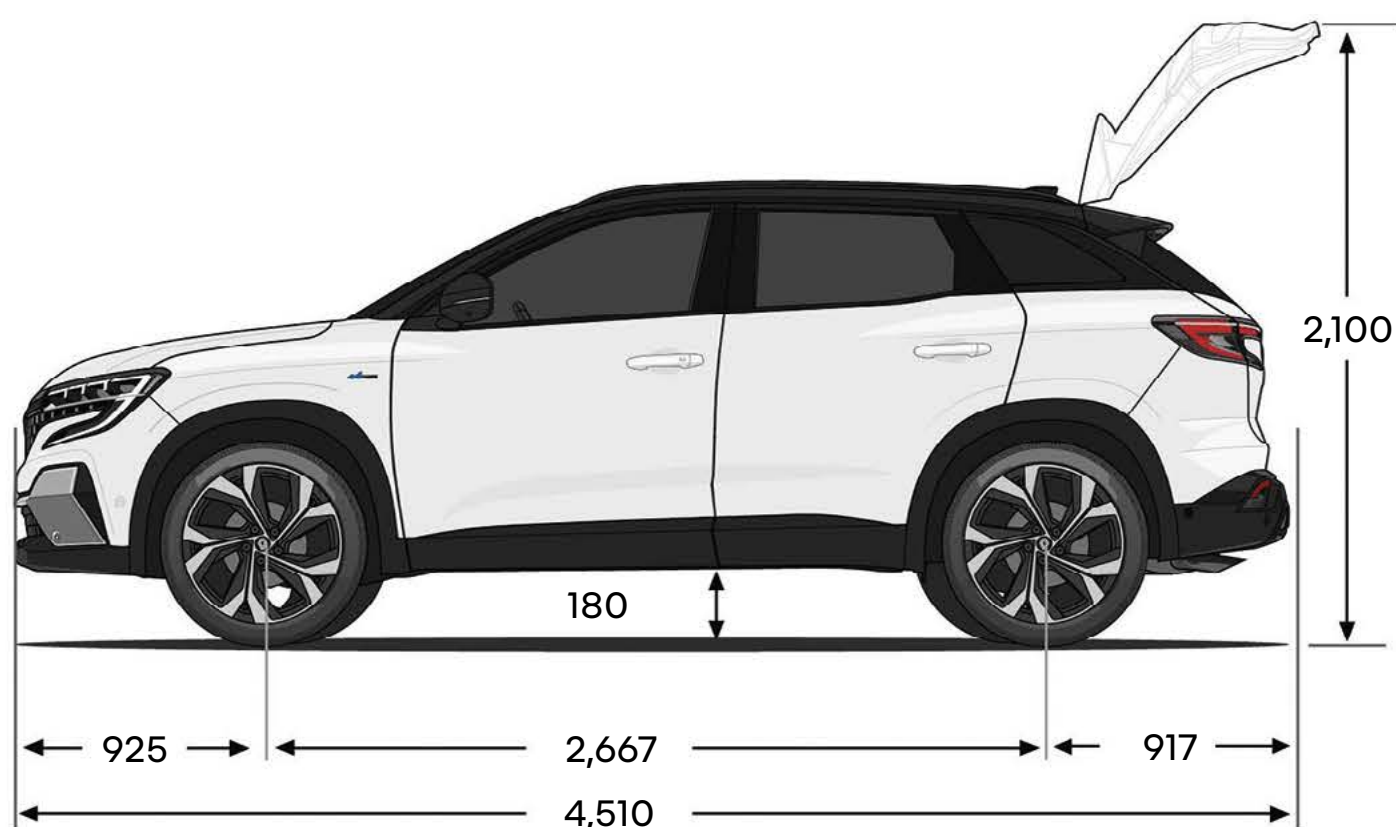
E-Tech full hybrid 200 hp

engine	
powertrain	full hybrid + unleaded petrol (E10)
max. power kW / engine speed of (rpm)	96kW at 4,500 rpm
max. torque (Nm) / engine speed of (rpm)	205 Nm/1,750 rpm
battery type	lithium-ion
performance	
maximum speed (mph)	108
0-62mph (seconds)	8.4



**download the engine
PDF (6MB)**

dimensions & volumes



dimensions in (mm).

boot volume (L)

E-Tech full hybrid

with rear bench seat that can slide back 16 cm

up to 555

max. with rear bench seat folded down

1525

build yours →

Renault services

3 years warranty

Your Renault car is covered by a warranty package for up to 3 years from date of first registration with unlimited mileage during the first 24 months, then limited to a total of 60,000 miles or 3 years, whichever comes first. For further details go to www.renault.co.uk/warranty.html

EasyLife service plan

Renault's EasyLife Service Plan is the ultimate package to provide care-free servicing for your Renault. For more information go to www.renault.co.uk/general-maintenance/service-plans.html

customer relations

Renault knows the value of communicating with its customers and we have established effective ways to keep in touch with you. If after speaking to your local Renault dealership you are not completely satisfied, please contact the Renault UK Customer Service Team on 0344 335 0000[†] (Mon-Fri 8am to 6pm. Closed Saturday, Sunday and on Bank Holidays. Live Chat Mon-Fri 8am to 6pm). You can also visit www.renault.co.uk or write to us at: Renault UK Ltd, The Rivers Office Park, Denham Way, Maple Cross, Rickmansworth, Hertfordshire, WD3 9YS.

[†] Calls to 03 numbers are free if used as part of your inclusive mobile minutes and are charged at local rates from landlines.

3 years roadside assistance

Should you need it, we'll provide emergency roadside repairs or tow you to the nearest Renault Dealer. For further details visit www.renault.co.uk/assistance.html

Renault car insurance

A car as well designed as your Renault deserves an insurance policy to match. Renault Insurance has been specifically created to provide superb protection for you and your car. Visit www.renault.co.uk/insurance.html

Renault care service

Replace what is necessary, at the right time. Thanks to its connected and predictive maintenance features, it is easy to service your Renault Austral E-Tech full hybrid. And thanks to the My Renault application, quotes, online appointments and even service history are at your fingertips.



[find out more about Renault care service](#)



Every precaution has been taken to ensure that the contents of this brochure were accurate and up to date at the time of release. This document has been created using pre-production and prototype models. In line with its policy of continuous product improvement, Renault reserves the right to modify the specifications, vehicles and accessories described and featured at any time. Any such modifications are communicated to Renault dealers as quickly as possible. Depending on the country of sale, versions may differ and some equipment may be unavailable (standard, optional or accessories). Please contact your nearest dealer for the latest information. Due to the limitations of the medium, the colours featured in this document may differ slightly from those of the actual paintwork or interior trim. All rights reserved. Reproduction in any format and by any means of all or part of this brochure is prohibited without prior written authorisation from Renault.

Publicis – photo credits: C. Violet, F. Schlosser, S. Staub, © Renault Marketing 3D-Commerce, Pagécran – April 2024.

Renault recommends 



build yours →